

Trans-Atlantic Company Door Lever

IMPORTANT NOTICE:

Thank you for your selection of this 'Trans-Atlantic Company: The Protector' BHMA/ANSI Grade 1 door lever, complete with U-Change lever lock installed. You have selected a high-performing and robust door lock/lever set for your hardware application. This assembly comes from our factory fully tested and ready for use.

The leverset fits a 1 3/4" thickness door by default. When installing this leverset onto a 1 3/8" thick door, addition spacers need to be installed, one on each side of the door. These spacers are available from Security Solutions (Part No.: 22B3L187713). Leverset will not reliably function without door spacers when required.

In order for the lever set to function optimally (for years of heavy use) the following factory installation criteria must be maintained. When disassembling the lever assembly for installation onto a door, take care to reassemble the components according to the illustrations below:

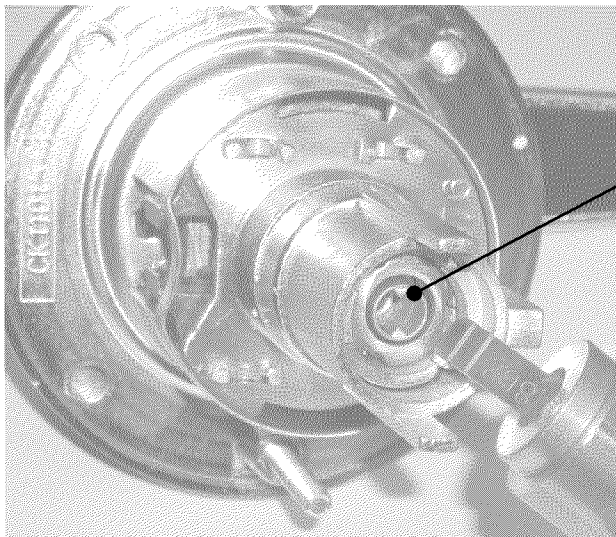


Figure 1: Disassembled Lever Body

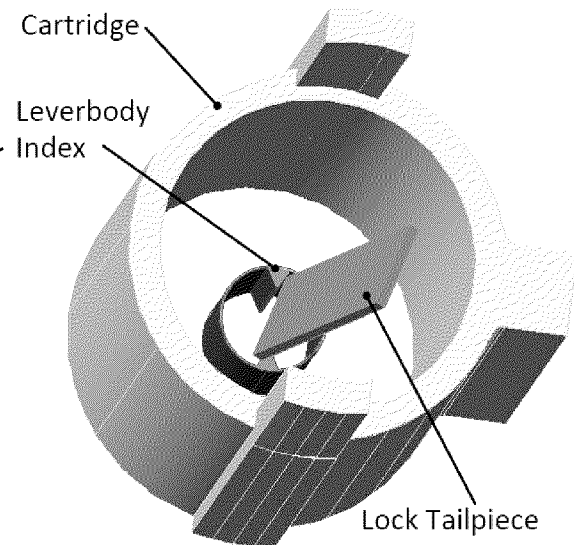


Figure 2: Reassembly Detail

Please observe the alignment of the 'Lock Tailpiece' in relation to the barbs on the 'Leverbody Index'.

Care must be taken not to reverse the orientation of the 'Lock Tailpiece' during installation; doing so results in mechanical stiffness or inoperability of the lever assembly. Remember: The 'Lock Tailpiece' should appear as a forward slash (/) when properly installed into the 'Leverbody Index'.

For additional questions or technical support, feel free to contact Security Solutions at: 1-888-541-1300.